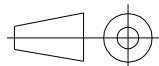
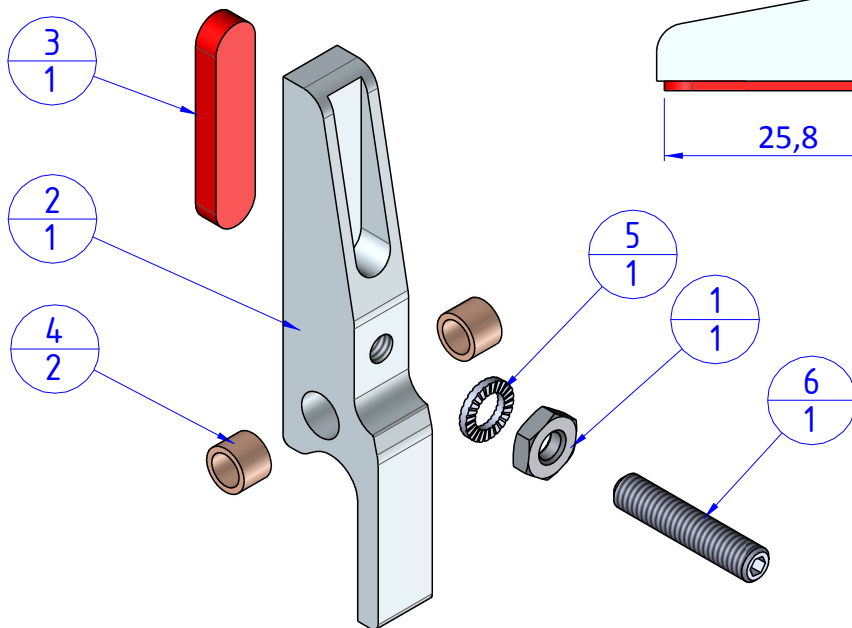
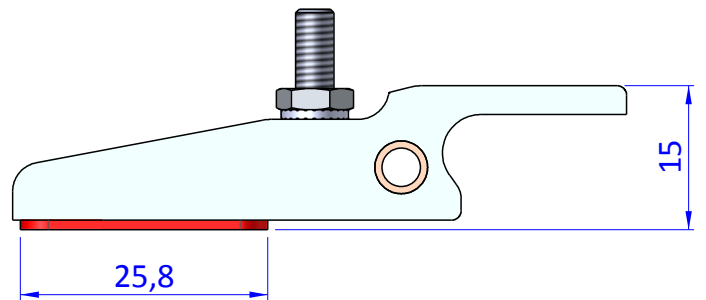
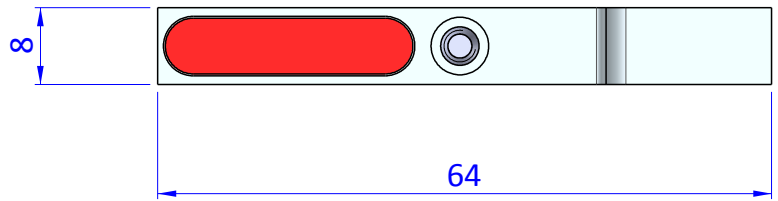


THE PROPERTY OF THE DRAWING IS ESTABLISHED BY LAW. IT IS FORBIDDEN TO PRODUCE OR SHOW IT TO THIRD PART. WITHOUT A WRITTEN AGREEMENT.

Item	Name	Qty.
1	D.4	1
2	GTS.1003.17	1
3	GTS.1003.17.1	1
4	PAP.0405504	2
5	R.4.SCH	1
6	V.STM4X20	1



Format A4 UNI 936-76	GENERAL TOLERANCE UNI - ISO 2768 CLASSE f	DESCRIPTION GTS.03.17	DESIGNED FROM FPS Automation	REVIEW A
			DATE 22/03/2019	WEIGHT 0,026kg
			CODE GTS.03.17	